

6

5

4

3

2

1

MATERIAL AND FINISH:

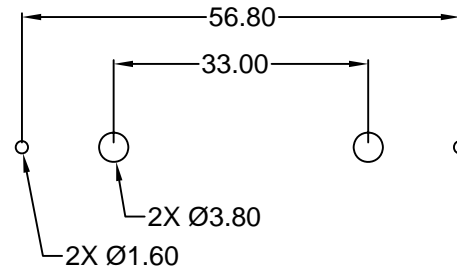
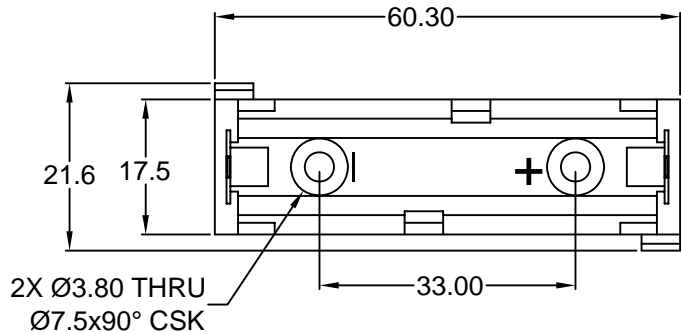
Insulator: Glass filled Nylon, black, UL-94-HB rated

Contacts: Clean Nickel Silver

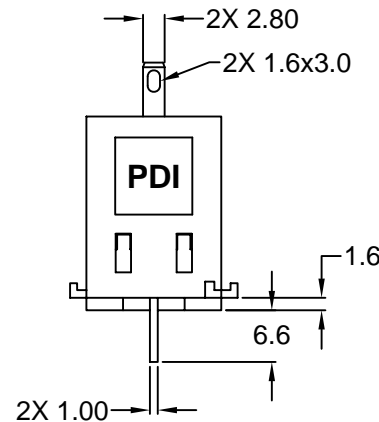
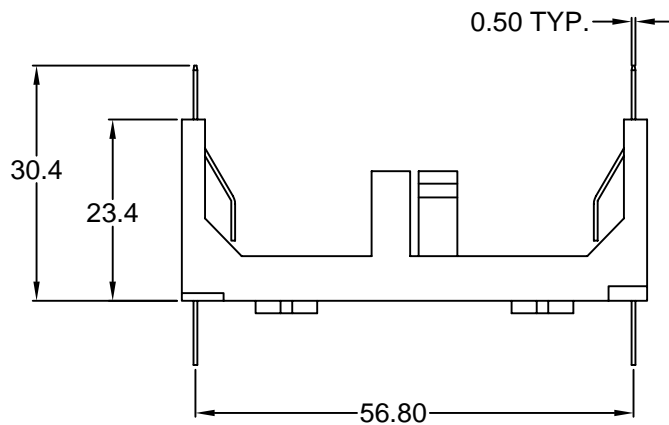
ENVIRONMENTAL

Operating temperature: -30°C TO +70°C

RoHS
COMPLIANT



RECOMMENDED
PCB MOUNT



NOTES:

Dual connections. PC spills & 2.8 series tabs/solder tags(PC spills may be removed if required)

TOLERANCE
UNLESS OTHERWISE SPECIFIED
X ± 1
X.X ± 0.4
X.XX ± 0.20

Power Dynamics, Inc.

Phone: 973 560-0019 Whippany, New Jersey Fax: 973 560-0076

PART: 1 CELL AA (R6) BATTERY HOLDER, PCB/
BASEBOARD MOUNT, SOLDER TERMINALS

DRAWN BY	BP	DATE:	11/06/00
CHECK BY	TD	DATE:	11/06/00
APPR BY	JJ	DATE:	11/06/00

PART #:	B35	SHEET	1 of 1
SIZE:	A	ALL DIMENSIONS FOR REFERENCE ONLY DIMENSIONS ARE IN MILLIMETERS	REV: A
SCALE:	NTS		

REVISIONS	CHANGE	CHNG	CHK	APPR
	REVISED / UPDATED	GO	TD	PB
	DATE	03/04/02		
REV	A			

6

5

4

3

2

1